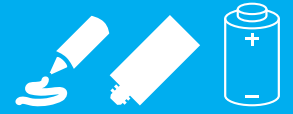


Easipower Plus[™]

CBE 50ml



A dual component battery powered bead applicator for cartridges



Variable Speed Trigger for greater speed control during dispensing. Very useful for inexperienced operators.

Trigger lock to prevent accidental discharge of material.

Rubber rest pads to prevent tool from slipping off worktops and to protect it when put down.

PRODUCT FEATURES:

- Cordless dual component applicator for all variants of 50ml side by side cartridges; one applicator per type and size.
- Other sizes and ratios of cartridges (within the 50ml range) can be fitted by changing the front part of the applicator (barrel), but keeping the handle.
- Maximum rack speed of 2.5mm/sec which gives higher material output.
- Rubber overmouldings for improved grip and comfort.
- Auto-reverse function to stop material flow when trigger is released.
- Rapid battery charge within 30mins (0-100%).
- Universal charger for worldwide use.

- Overload shut off function to prevent damage of the tool.
- Light weight for prolonged and comfortable use – even in difficult spaces.

SPECIAL FEATURE:

Dosing capabilities build in as a generic setting; all applicators are pre-programmed: Settings 1 (low) to 8 (high) – each delivers a different amount of material; tool runs continuously on setting 9 (“normal” beading without dosing); end user needs to set required dose with the dial 1-9 depending on viscosity of material and demanded application.

Customised settings available upon request.

The Cox Easipower Plus is part of a range of battery applicators. Designed for use with low to medium viscosity sealants and adhesives, the Cox Easipower Plus is ideal for semi-professional users.

For more information call +44(0)1635 264500
Or visit www.pccox.co.uk



The original

TECHNICAL DATASHEET

Easipower Plus™

CBE 50ml



A dual component battery powered bead applicator for cartridges

APPLICATIONS:

- For low to medium viscosity
- Cartridge: 2-component
- Cartridge volumes: 50ml

SPECIFICATIONS:

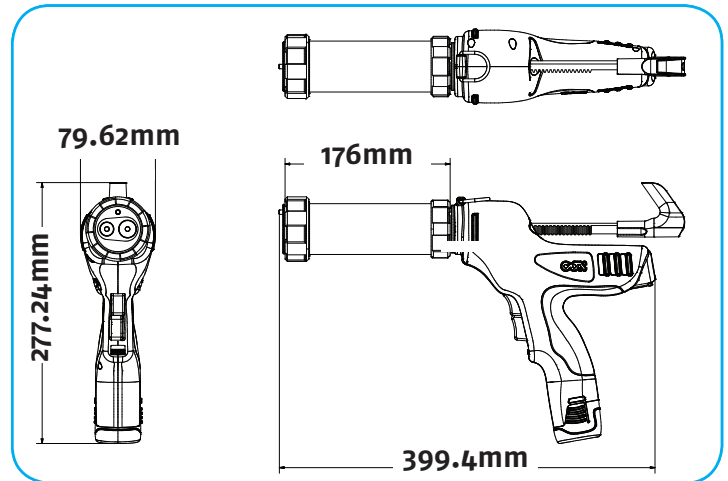
- Maximum Thrust: 1.5kN
- Barrel Length: 176mm
- Voltage: 10.8V
- Battery Charge Time: 30 minutes
- Battery Type: Li-Ion
- Tool Weight: 1.63kg (with 1.5Ah battery)
- Barrel Material: Silver Anodised Aluminium
- Handle Material: Black Base Moulding = Polycarbonate (PC)\Acrylonitrile-butadiene-styrene (ABS), with grey Soft Grip Overmould = Thermoplastics elastomers (TPE)
- Certificates: CE, IEC60335, UL, C-Tick, ISO, REACH
- Packaging Options: 1 per box

WEB LINKS:

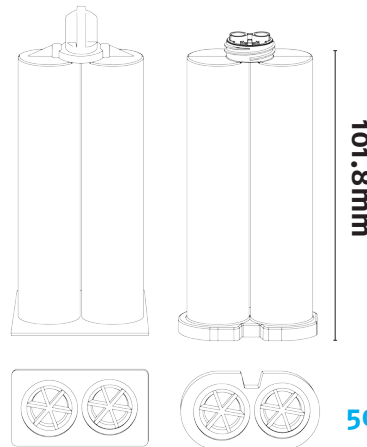
- Academy video
www.pccox.co.uk/en/cox-academy
- Spare parts diagram
www.pccox.co.uk/en/exploded-diagrams

OTHER MODELS AVAILABLE:

- Easipower Plus Combi
- Easipower Plus US Quart
- Easipower Plus Floor Dispensers
- Easipower Plus 1-component applicators



CARTRIDGE:



Cartridges

- 50ml S-type oval flange:**
- 50ml 1:1 (25ml + 25ml)
 - 50ml 2:1 (33ml + 17ml)
 - 50ml 3:2 (37.5ml + 12.5ml)
 - 50ml 4:1 (40ml + 10ml)
 - 50ml 10:1 (45ml + 4.5ml)

- 50ml rectangular flange:**
- 50ml 1:1 (25ml + 25ml)
 - 50ml 2:1 (33ml + 17ml)
 - 50ml 4:1 (40ml + 10ml)
 - 50ml 10:1 (45ml + 4.5ml)

PRODUCT RANGE BY POWER:



PC Cox Ltd., Turnpike Road, Newbury, Berkshire, RG14 2LR
 T Sales +44 (0) 1635 264500 F +44 (0) 1635 264555
 E sales@pccox.co.uk
 www.pccox.co.uk



©PC Cox Ltd. 2016 Cox is a trademark of PC Cox Ltd. Every effort has been made to ensure that the information contained in this leaflet was correct at the time of going to press. However, the company retains the right to change any specification without notice, in line with the company's policy of continual product development.

